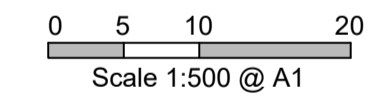


LEGEND

- GW PROPOSED GAS & WATER CONDUITS
- ET PROPOSED ELECT. & TELECOMM. CONDUITS
- W PROPOSED WATER MAIN
- ExW Ex. WATER MAIN
- G PROPOSED GAS MAINS
- ExG Ex. GAS MAINS & VALVE
- E PROP. ELECTRICAL CABLES
- ExE Ex. ELECTRICAL CABLE
- T PROPOSED TELSTRA CABLES
- ExT Ex. TELSTRA CABLES
- PROPOSED DRAIN & PIT
- Ex. DRAIN & PIT
- PROPOSED HOUSE DRAIN
- Ex. HOUSE DRAIN
- DESIGN FINISHED SURFACE CONTOURS (0.25m INT.)
- DIRECTION OF LOT FINISHED SURFACE FALL
- OVERLAND FLOW PATH



EARTHWORKS LEGEND

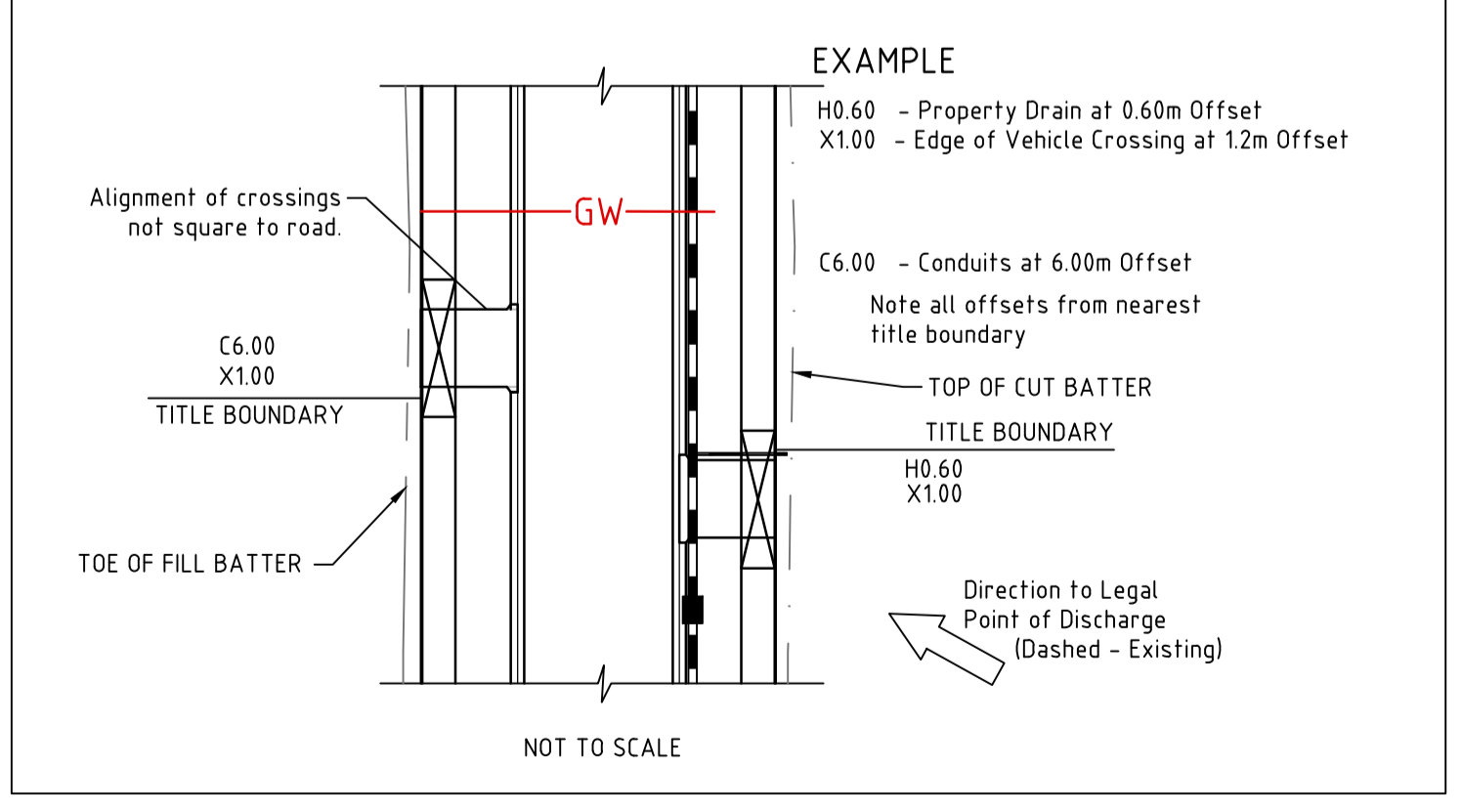
- FILL EARTHWORKS - FILL AREA WITHIN LOTS GREATER THAN 150mm DEPTH
- CUT EARTHWORKS - CUT AREA WITHIN LOTS GREATER THAN 150mm DEPTH

THIS PLAN SHOWS ONLY APPROXIMATE EXTENTS & LEVELS OF FILL TO BE PLACED DURING CONSTRUCTION. DEPTH OF FILL USED FOR TOP DRESSING ALL ALLOTMENTS MAY VARY BY UP TO 0.15m. THE EXTENT OF FILL SHOWN IS BASED ON DESIGN AND MAY BE SUBJECT TO CHANGE FOLLOWING FINAL INSPECTION BY GEOTECHNICAL ENGINEER.

SERVICES SCHEDULE

STREET NAME	GAS	D-WATER	TELEC.	ELECT.	SEWER	STREET TREES	ROAD RESERVE
CUMBERLAND BOULEVARD	2.10 W	2.70 W	1.90 E	2.60 E	1.00 E&W	2.30 B.O.K. BOTH	20.00
GELLIBRAND ROAD	2.25 N	2.70 N	1.85 S	2.60 S	N/A	1.00 B.O.K. BOTH	18.00
RUTLEDGE WAY	2.25 N	2.70 N	1.85 S	2.60 S	N/A	1.00 B.O.K. BOTH	18.00
BUCKLEY AVENUE	2.25 E	2.70 E	1.85 W	2.60 W	N/A	1.00 B.O.K. BOTH	18.00

* DENOTES EXISTING SERVICE EXACT LOCATION TO BE PROVEN ON SITE BY CONTRACTOR. ALL OFFSETS ARE REFERENCED TO NEAREST BL.



TYPICAL NOTATIONS - EXAMPLE

WARNING

BWARE OF UNDERGROUND SERVICES

THE LOCATIONS OF UNDERGROUND SERVICES ARE APPROXIMATE ONLY AND THEIR EXACT POSITION SHOULD BE PROVEN ON SITE. NO GUARANTEE IS GIVEN THAT ALL EXISTING SERVICES ARE SHOWN.

CONSTRUCTION PLAN

THIS DRAWING IS NOT TO BE COPIED OR SCALED

VERSION	REMARKS	DATE	BY
E	CONSTRUCTION ISSUE	06.12.21	LP
D	DRAWING UPDATED AS PER COUNCIL COMMENTS	28.11.21	LP
C	ISSUE TO COUNCIL	31.08.21	LP
B	DRAINAGE LINES 15- 9 & 38-40 UPDATED	04.08.21	LP
A	ISSUE FOR MARKETING	15.07.21	LP

DRAWN BY	N. ROBINSON	DESIGNED BY	L. PHAN
MELWAY	565, N10	CHECKED BY	L. PHAN
DATUM	AHD	AUTHORISED BY	P. MILLER

LAND SURVEYING
CIVIL ENGINEERING
PLANNING
LANDSCAPE ARCHITECTURE
DEVELOPMENT CONSULTING

www.reedsconsulting.com.au
engineering@reedsconsulting.com.au

Lvl 6, 440 Elizabeth Street Melbourne Victoria 3000
p (03) 8660 3000

Copyright © Reeds Consulting Pty Ltd
All Rights Reserved 2001

CITY OF BALLARAT
ALLUVIUM ESTATE, WINTER VALLEY
STAGE 3
LAYOUT PLAN

DRAWING No.	VERSION
3R2	E
REFERENCE	
22558E	
SHEET	2 OF 15